


# PRODUCT SHEET

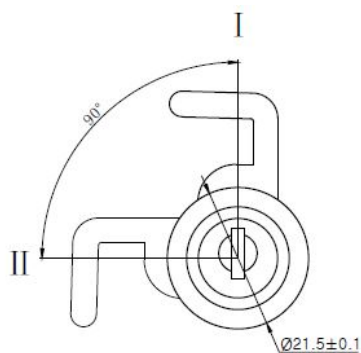
## Description:

Cam Lock  $\varnothing 16 \times 9,5 \text{ mm}$ , 90DG, CPL, D/E, MK SISO, W/Spring Clip, 150 Key Combinations pr. Export Carton

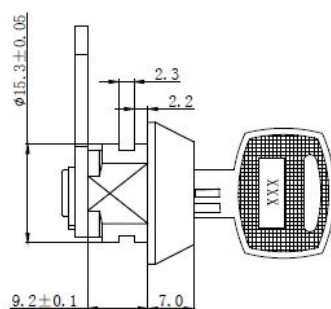
## Item number:

14.08.110-1

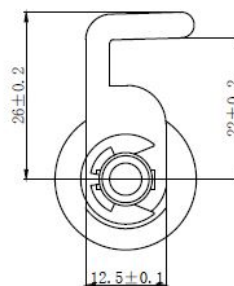
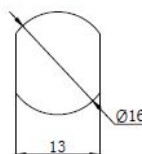
Units	Box	Carton	HS Code	Barcode
Pcs.	50	300	8301300000	
				5704866103602



Clip



Installation hole size



## SISO A/S

Mileparken 11  
DK-2740 Skovlunde  
Denmark  
VAT: DK 24786013

Phone +45 45 830 900

[www.siso.dk](http://www.siso.dk)  
[siso@siso.dk](mailto:siso@siso.dk)

Danske Bank  
Nytorv Branch  
Copenhagen  
SWIFT: DABADKKK

Account no.  
4180 3112 112936  
IBAN Account  
DK7230003112112936